

***GT24C32E***



---

# **GT24C32E**

**Automotive 32-Kbit**

**I2C Bus**

**EEPROM**

Copyright © 2014 Giantec Semiconductor Corp. (Giantec). All rights reserved. Giantec reserves the right to make changes to this specification and its products at any time without notice. Giantec products are not designed, intended, authorized or warranted for use as components in systems or equipment intended for critical medical or surgical equipment, aerospace or military, or other applications planned to support or sustain life. It is the customer's obligation to optimize the design in their own products for the best performance and optimization on the functionality and etc. Giantec assumes no liability arising out of the application or use of any information, products or services described herein. Customers are advised to obtain the latest version of this device specification before relying on any published information and prior placing orders for products.



# GT24C32E

## Table of Contents

<b>1. Features</b>	4
<b>2. General Description</b>	4
<b>3. Functional Block Diagram</b>	5
<b>4. Pin Configuration</b>	6
<b>4.1 8-Pin SOIC, TSSOP</b>	6
<b>4.2 8-Lead UDFN</b>	6
<b>4.3 Pin Definition</b>	6
<b>4.4 Pin Descriptions</b>	7
<b>5. Device Operation</b>	8
<b>5.1 2-WIRE Bus</b>	8
<b>5.2 The Bus Protocol</b>	8
<b>5.3 Start Condition</b>	8
<b>5.4 Stop Condition</b>	9
<b>5.5 Acknowledge</b>	9
<b>5.6 Reset</b>	9
<b>5.7 Standby Mode</b>	9
<b>5.8 Device Addressing</b>	9
<b>5.9 Write Operation</b>	11
<b>5.10 Read Operation</b>	12
<b>5.11 Identification Page</b>	13
<b>5.12 Delivery State</b>	14
<b>6. Device Features</b>	15
<b>6.1 Device Register</b>	15
<b>6.2 Configurable Device Address</b>	15
<b>6.3 Software Write Protect</b>	16
<b>6.4 Lock and Unlock the Device Register</b>	16
<b>7. Application Recommendation</b>	17
<b>7.1 Operating Supply Voltage</b>	17
<b>7.2 Power-up conditions</b>	17
<b>7.3 Power-down</b>	17
<b>7.4 ECC (Error Correction Code) and Write cycling</b>	17
<b>8. Electrical Characteristics</b>	18
<b>8.1 Absolute Maximum Ratings</b>	18
<b>8.2 Operating Range</b>	18
<b>8.3 Capacitance</b>	18
<b>8.4 Reliability</b>	18
<b>8.5 Power Up/Down and Voltage Drop</b>	19
<b>8.6 DC Electrical Characteristic</b>	20
<b>8.7 AC Electrical Characteristic</b>	21
<b>8.8 Timing Diagrams</b>	22
<b>9. Ordering Information</b>	23
<b>10. Top Markings</b>	24
<b>10.1 SOIC Package</b>	24



# **GT24C32E**

---

<b>10.2 TSSOP Package</b> .....	24
<b>10.3 UDFN Package</b> .....	24
<b>11. Package Information</b> .....	25
<b>11.1 SOIC</b> .....	25
<b>11.2 TSSOP</b> .....	26
<b>11.3 UDFN</b> .....	27



# GT24C32E

## 1. Features

- Two-Wire Serial Interface, I<sup>2</sup>C™ Compatible
  - Bi-directional data transfer protocol
- Wide-voltage Operation
  - V<sub>CC</sub> = 1.7V to 5.5V
- Speed: 1 MHz (1.7V ~ 5.5V)
- Standby current (max.): 12 μA, 5.5V
- Operating current (max.): 2 mA, 5.5V
- Sequential & Random Read Features
- Memory organization: 32Kb (4,096 x 8)
- Page Size: 32 bytes
- Page write mode
  - Partial page writes allowed
  - Addition write lockable page (Identification Page)
- Self-timed write cycle: 4 ms (max.)
- Endurance:
  - 4 million Write cycles at 25 °C
  - 1.2 million Write cycles at 85 °C
  - 600 k Write cycles at 125 °C
- Data retention
  - 50 years at 125 °C
  - 100 years at 25 °C
- Compliant with AEC-Q100 grade 1
- Packages: SOIC, TSSOP and UDFN
- ESD Protection: ±8000V
- Lead-free, RoHS, Halogen free, Green
- Noise immunity on inputs, besides Schmitt trigger

## 2. General Description

The GT24C32E is a 32-Kbit serial EEPROM Automotive grade device operating up to 125 °C. The GT24C32E is compliant with the very high level of reliability defined by the automotive standard AEC-Q100 grade 1. The GT24C32E contains a memory array of 32K bits (4,096x8), which is organized in 32-byte per page.

The EEPROM operates in a wide voltage range from 1.7V to 5.5V running up to 1MHz, which fits most application. The product provides low-power operations and low standby current. The device is offered in Lead-free, RoHS, halogen free or Green package. The available package types are 8-pin SOIC, TSSOP and UDFN.

The GT24C32E is compatible to the standard I<sup>2</sup>C bus protocol. The simple bus consists of Serial Clock (SCL) and Serial Data (SDA) signals. Utilizing such bus protocol, a Master device, such as a microcontroller, can usually control one or more Slave devices, alike this GT24C32E. The bit stream over the SDA line includes a series of bytes, which identifies a particular Slave device, an instruction, an address within that Slave device, and a series of data, if appropriate. The GT24C32E also has a Write Protect function via WP pin to cease from overwriting the data stored inside the memory array.

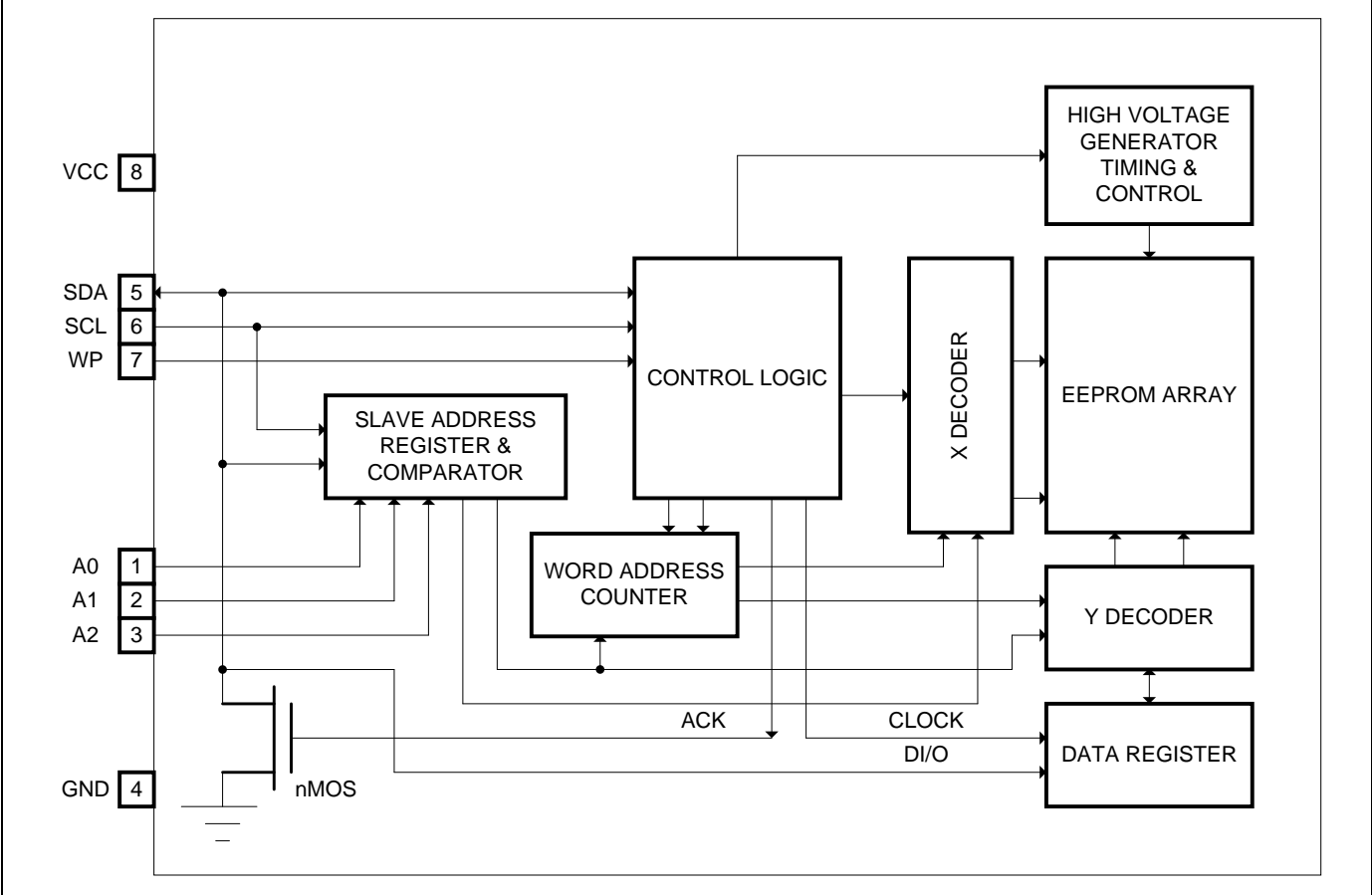
In order to refrain the state machine from entering into a wrong state during power-up sequence or a power toggle off-on condition, a power on reset circuit is embedded. During power-up, the device does not respond to any instructions until the supply voltage (V<sub>CC</sub>) has reached an acceptable stable level above the reset threshold voltage. Once V<sub>CC</sub> passes the power on reset threshold, the device is reset and enters into the Standby mode. This would also avoid any inadvertent Write operations during power-up stage. During power-down process, the device will enter into standby mode, once V<sub>CC</sub> drops below the power on reset threshold voltage. In addition, the device will be in standby mode after receiving the Stop command, provided that no internal write operation is in progress. Nevertheless, it is illegal to send a command unless the V<sub>CC</sub> is within its operating level.

This product optionally offers an additional page (Identification Page) of 32 bytes. The Identification Page can be used to store sensitive application parameters which can be (later) permanently locked in Read-only mode.



# GT24C32E

## 3. Functional Block Diagram

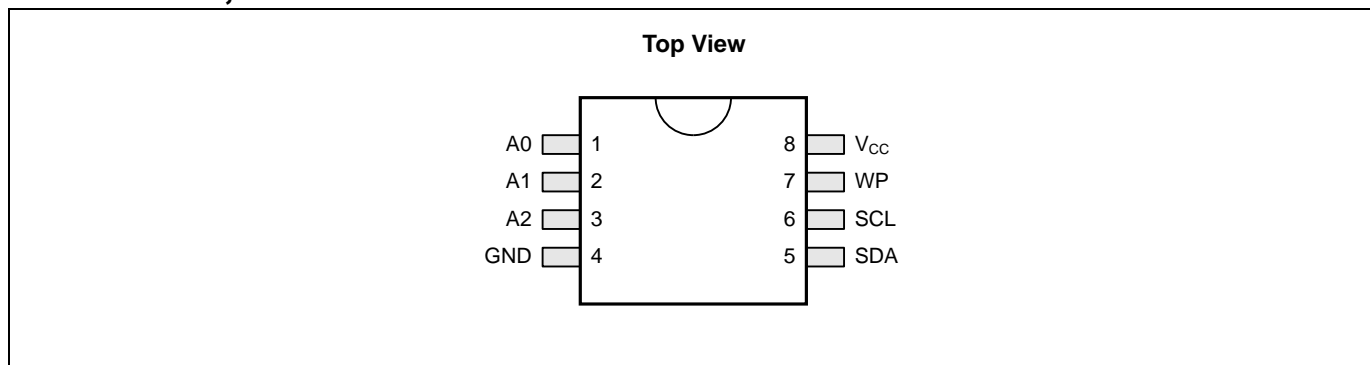




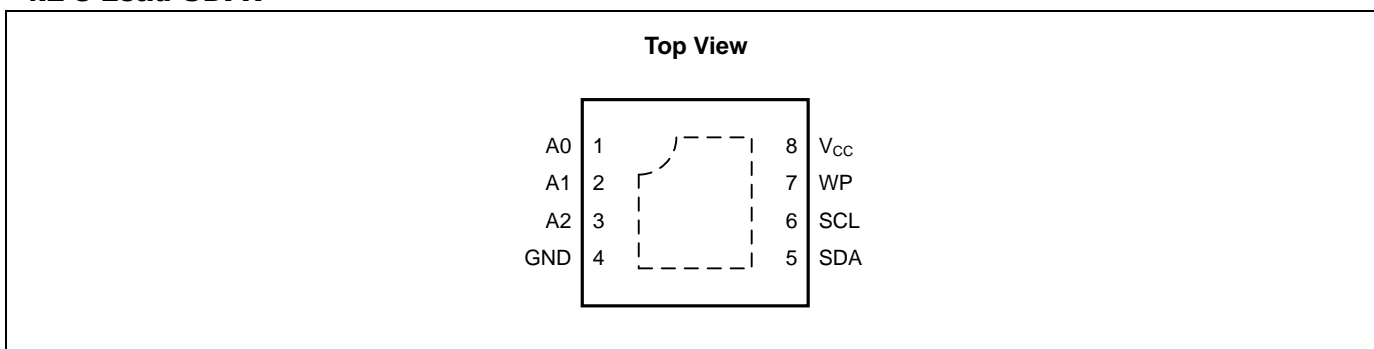
# GT24C32E

## 4. Pin Configuration

### 4.1 8-Pin SOIC, TSSOP



### 4.2 8-Lead UDFN



### 4.3 Pin Definition

Pin No.	Pin Name	I/O	Definition
1	A0	I	Device Address Input
2	A1	I	Device Address Input
3	A2	I	Device Address Input
4	GND	-	Ground
5	SDA	I/O	Serial Address, Data input and Data output
6	SCL	I	Serial Clock Input
7	WP	I	Write Protect Input
8	V <sub>CC</sub>	-	Power Supply



# GT24C32E

---

## 4.4 Pin Descriptions

### SCL

This input clock pin is used to synchronize the data transfer to and from the device.

### SDA

The SDA is a bi-directional pin used to transfer addresses and data into and out of the device. The SDA pin is an open drain output and can be wired with other open drain or open collector outputs. However, the SDA pin requires a pull-up resistor connected to the power supply.

### WP

WP is the Write Protect pin. While the WP pin is connected to the power supply of GT24C32E, the entire array becomes Write Protected (i.e. the device becomes Read only). When WP is tied to Ground or left floating, the normal write operations are allowed.

Wp can be disable after Unlock Device Register.

**Note:** WP cannot be powered on earlier than Vcc, and the amplitude of WP cannot be greater than Vcc.

### A0, A1, A2

The A0, A1 and A2 are the device address inputs.

Typically, the A0, A1, and A2 pins are for hardware addressing and a total of 8 devices can be connected on a single bus system.

When A0, A1, and A2 are left floating, the inputs are defaulted to zero.

A0, A1, A2 can be disable after Unlock Device Register.

### Vcc

Supply voltage

### GND

Ground of supply voltage

### Note:

More detail application information, please check application note.

Application note :<http://www.giantec-semi.com/Application-note.html>

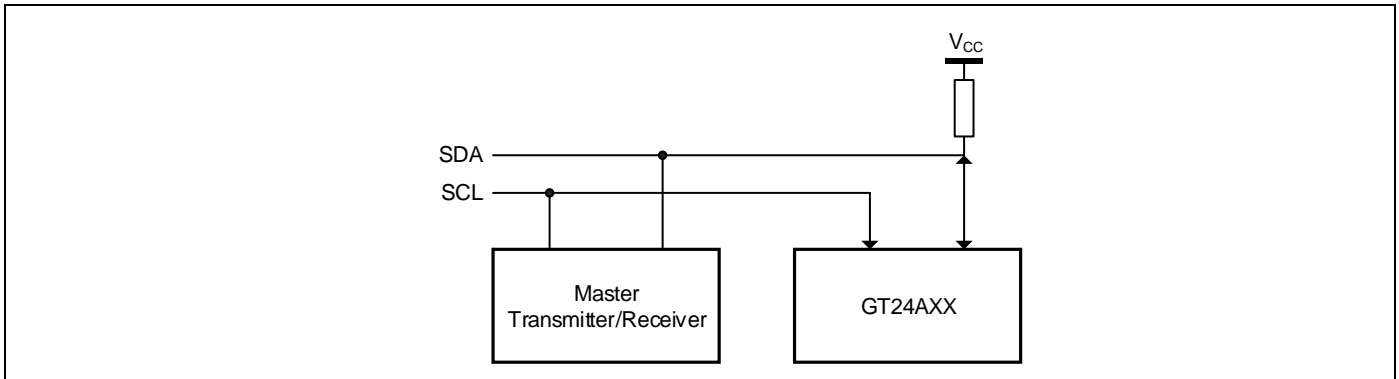
## 5. Device Operation

The GT24C32E serial interface supports communications using the standard 2-wire bus protocol, such as I<sup>2</sup>C.

### 5.1 2-WIRE Bus

The two-wire bus is defined as Serial Data (SDA), and Serial Clock (SCL). The protocol defines any device that sends data onto the SDA bus as a transmitter, and the receiving devices as receivers. The bus is controlled by Master device that generates the SCL, controls the bus access, and generates the Start and Stop conditions. The GT24C32E is the Slave device.

**Figure 1. Typical System Bus Configuration**

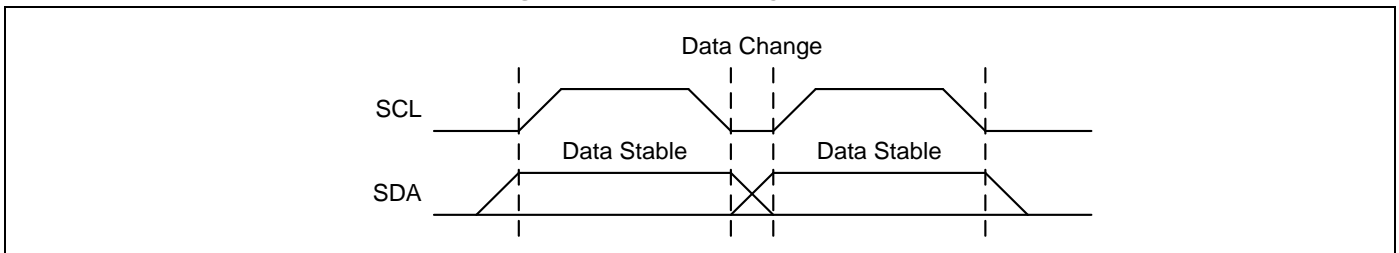


### 5.2 The Bus Protocol

Data transfer may be initiated only when the bus is not busy. During a data transfer, the SDA line must remain stable whenever the SCL line is high. Any changes in the SDA line while the SCL line is high will be interpreted as a Start or Stop condition.

The state of the SDA line represents valid data after a Start condition. The SDA line must be stable for the duration of the High period of the clock signal. The data on the SDA line may be changed during the Low period of the clock signal. There is one clock pulse per bit of data. Each data transfer is initiated with a Start condition and terminated by a Stop condition.

**Figure 2. Data Validity Protocol**

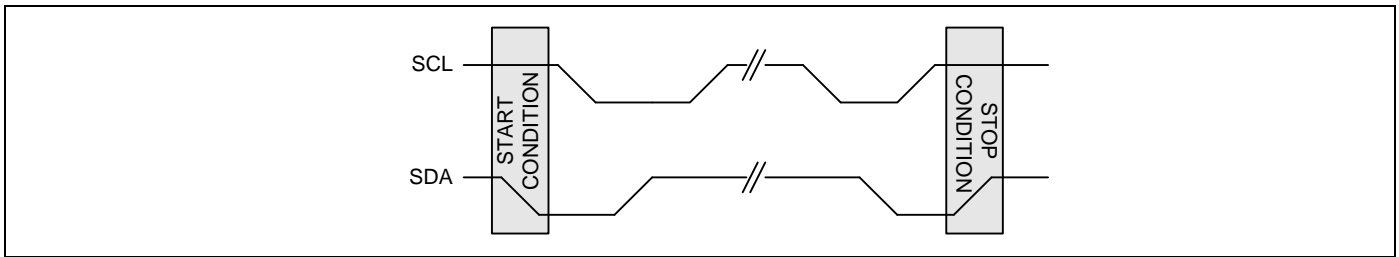


### 5.3 Start Condition

The Start condition precedes all commands to the device and is defined as a High to Low transition of SDA when SCL is High. The EEPROM monitors the SDA and SCL lines and will not respond until the Start condition is met.



**Figure 3. Start and Stop Conditions**



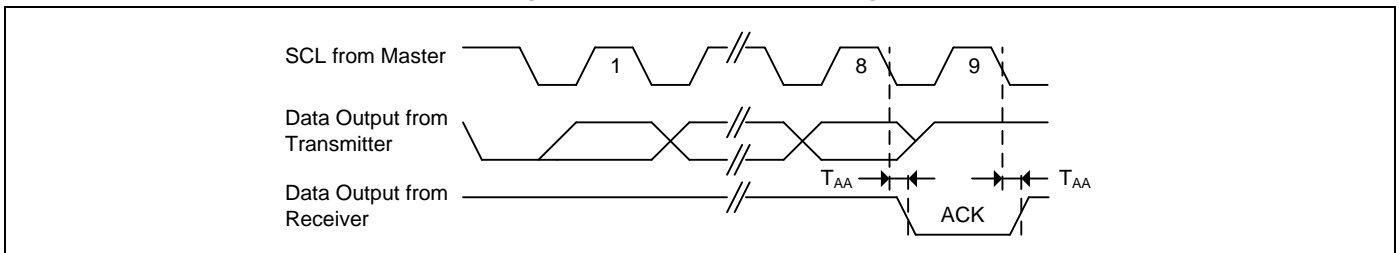
## 5.4 Stop Condition

The Stop condition is defined as a Low to High transition of SDA when SCL is High. All operations must end with a Stop condition.

## 5.5 Acknowledge

After a successful data transfer, each receiving device is required to generate an ACK. The Acknowledging device pulls down the SDA line.

**Figure 4. Output Acknowledge**



## 5.6 Reset

The GT24C32E contains a reset function in case the 2-wire bus transmission on is accidentally interrupted (e.g. a power loss), or needs to be terminated mid-stream. The reset is initiated when the Master device creates a Start condition. To do this, it may be necessary for the Master device to monitor the SDA line while cycling the SCL up to nine times. (For each clock signal transition to High, the Master checks for a High level on SDA.) In the event that the device is still non-responsive or remains active on the SDA bus, a power cycle must be used to reset the device.

## 5.7 Standby Mode

While in standby mode, the power consumption is minimal. The GT24C32E enters into standby mode during one of the following conditions: a) After Power-up, while no Op-code is sent; b) After the completion of an operation and followed by the Stop signal, provided that the previous operation is not Write related; or c) After the completion of any internal write operations.

## 5.8 Device Addressing

The Master begins a transmission on by sending a Start condition, then sends the address of the particular Device devices to be communicated. The device address is 8-bit format as shown in Figure 5.

The four most significant bits of the Device address are fixed (1010) for GT24C32E as typical device type identifier. These four bits handling any value other than 1010b (to select the memory main array) or 1011b (to select the Identification page) is not acknowledged by the memory device.

The next three bits, A2, A1 and A0, of the Device address are specifically related to EEPROM.



# GT24C32E

Up to eight GT24C32E units can be connected to the 2-wire bus.

The last bit of the Device address specifies whether a Read or Write operation is to be performed. When this bit is set to 1, Read operation is selected. While it is set to 0, Write operation is selected.

**Figure 5. Device Address**

Bit	7	6	5	4	3	2	1	0
Main Array	1	0	1	0	A2	A1	A0	R/W
ID Page	1	0	1	1	A2	A1	A0	R/W

Note: ID page is optional for different part number.

GT24C32E Device address also support 7-bit I<sup>2</sup>C addressing format as shown in Figure 6. The most 7 significant bits C6-C0 are configurable via the Device Register after Unlock Device Register by user, then A2, A1, A0 and WP# will be disable. The default setting value of C6:C0 before factory outgoing is 1010 000b.

The Device Register is default locked before factory outgoing (Please refer to 6.4).

**Figure 6. Device Address**

Bit	b7	b6	b5	b4	b3	b2	b1	b0
Device Address	C6	C5	C4	C3	C2	C1	C0	R/W
Default Value	1	0	1	0	0	0	0	R/W

1. The most significant bit b7 is sent first.
2. Device Address Code C6:C0 is configurable via the Device Register.

After the Master transmits the Start condition and Device address byte appropriately, the associated 2-wire Slave device GT24C32E, will respond with ACK on the SDA line. Then GT24C32E will pull down the SDA on the ninth clock cycle, signaling that it received the eight bits of data. The GT24C32E then prepares for a Read or Write operation by monitoring the bus.

**Figure 7. Word Address**

Access Area	b15	b14	b13	b12	b11	b10	b9	b8	b7	b6	b5	b4	b3	b2	b1	b0
Data memory	0	0	0	0	A11	A10	A9	A8	A7	A6	A5	A4	A3	A2	A1	A0
Device Register	1	1	1	0	x	x	x	x	x	x	x	x	x	x	x	x
Lock Device Register	1	0	1	0	x	x	x	x	x	x	x	x	x	x	x	x
Lock Device Register to Default	1	0	1	1	x	x	x	x	x	x	x	x	x	x	x	x
Unlock Device Register (1)	1	1	0	0	x	x	x	x	x	x	x	x	x	x	x	x
ID Page Extend	1	0	0	0	x	x	x	x	x	x	x	A4	A3	A2	A1	A0

Note:

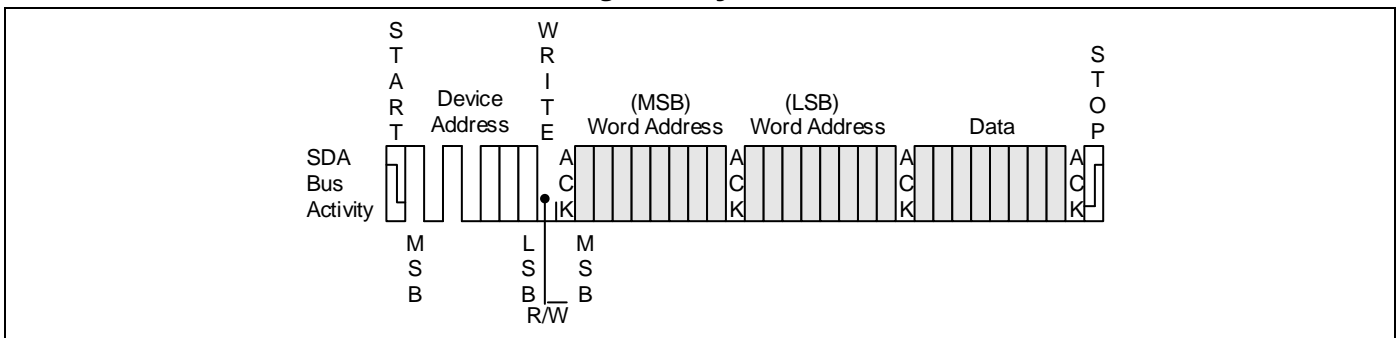
- 1, b15,b14,b13: Only Unlock device register command can be recognized in the factory default state.
- 2, X: don't care

## 5.9 Write Operation

### 5.9.1 Byte Write

In the Byte Write mode, the Master device sends the Start condition and the Device address information (with the R/W set to Zero) to the Slave device. After the Device generates an ACK, the Master sends the byte address that is to be written into the address pointer of the GT24C32E. After receiving another ACK from the Device, the Master device transmits the data byte to be written into the address memory location. The GT24C32E acknowledges once more and the Master generates the Stop condition, at which time the device begins its internal programming cycle. While this internal cycle is in progress, the device will not respond to any request from the Master device. (Refer to Figure 6. Byte Write Diagram)

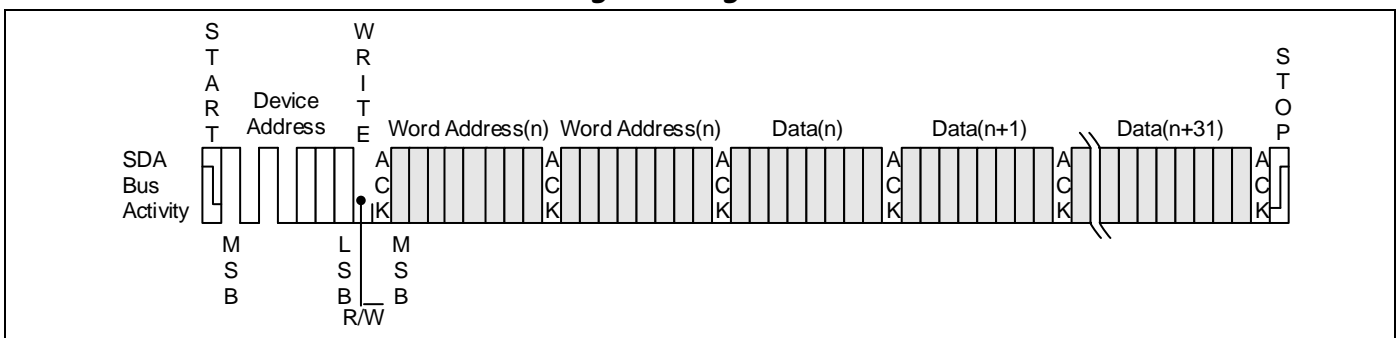
**Figure 8. Byte Write**



### 5.9.2 Page Write

The GT24C32E is capable of 32-byte Page-Write operation. A Page-Write is initiated in the same manner as a Byte Write, but instead of terminating the internal Write cycle after the first data word is transferred, the Master device can transmit up to 31 more bytes. After the receipt of each data word, the EEPROM responds immediately with an ACK on SDA line, and the five lower order data word address bits are internally incremented by one, while the higher order bits of the data word address remain constant. If a byte address is incremented from the last byte of a page, it returns to the first byte of that page. If the Master device should transmit more than 32 bytes prior to issuing the Stop condition, the address counter will “roll over,” and the previously written data will be overwritten. Once all 32 bytes are received and the Stop condition has been sent by the Master, the internal programming cycle begins. At this point, all received data is written to the GT24C32E in a single Write cycle. All inputs are disabled until completion of the internal Write cycle. (Refer to Figure 7. Page Write Diagram)

**Figure 9. Page Write**



### 5.9.3 Acknowledge (ACK) Polling

The disabling of the inputs can be used to take advantage of the typical Write cycle time. Once the Stop condition is issued to indicate the end of the host's Write operation, the GT24C32E initiates the internal Write cycle. ACK polling can be initiated immediately. This involves issuing the Start condition followed by the Device address for a Write operation. If the EEPROM is still



busy with the Write operation, no ACK will be returned. If the GT24C32E has completed the Write operation, an ACK will be returned and the host can then proceed with the next Read or Write operation.

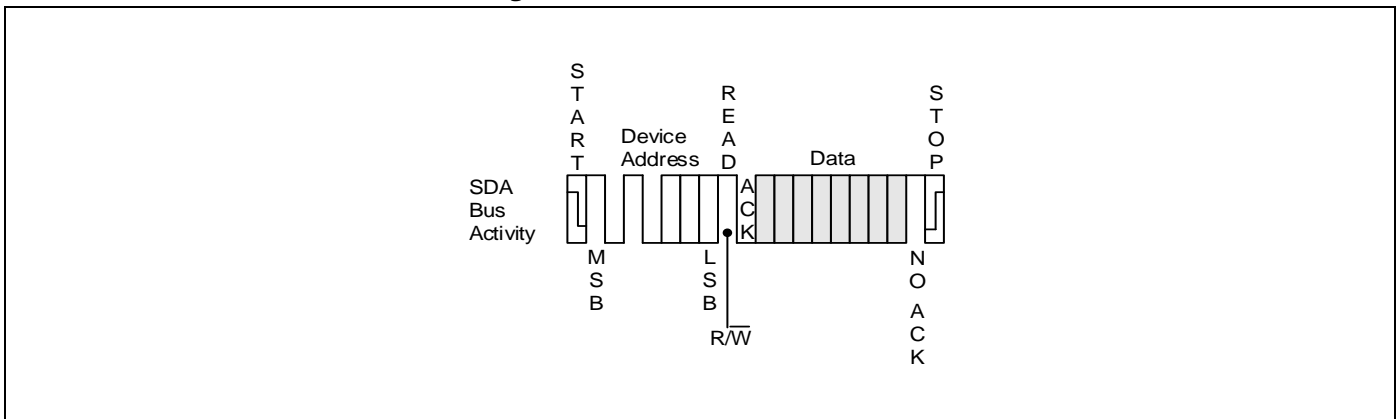
## 5.10 Read Operation

Read operations are initiated in the same manner as Write operations, except that the (R/W) bit of the Device address is set to “1”. There are three Read operation options: current address read, random address read and sequential read.

### 5.10.1 Current Address Read

The GT24C32E contains an internal address counter which maintains the address of the last byte accessed, incremented by one. For example, if the previous operation is either a Read or Write operation addressed to the address location n, the internal address counter would increment to address location n+1. When the EEPROM receives the Device Addressing Byte with a Read operation (R/W bit set to “1”), it will respond an ACK and transmit the 8-bit data byte stored at address location n+1. The Master should not acknowledge the transfer but should generate a Stop condition so the GT24C32E discontinues transmission. If 'n' is the last byte of the memory, the data from location '0' will be transmitted. (Refer to Figure 8. Current Address Read Diagram.)

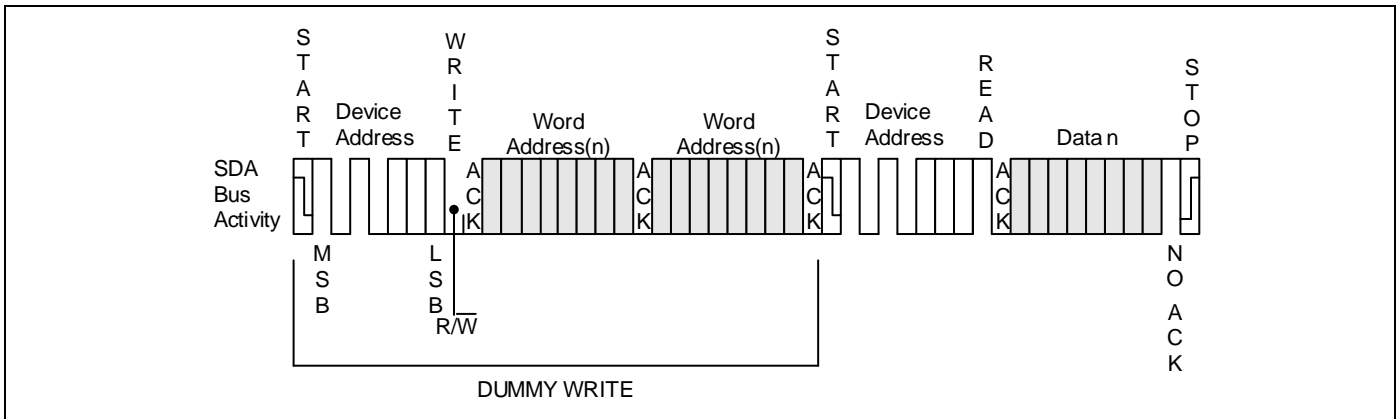
Figure 10. Current Address Read



### 5.10.2 Random Address Read

Selective Read operations allow the Master device to select at random any memory location for a Read operation. The Master device first performs a 'dummy' Write operation by sending the Start condition, Device address and byte address of the location it wishes to read. After the GT24C32E acknowledges the byte address, the Master device resends the Start condition and the Device address, this time with the R/W bit set to one. The EEPROM then responds with its ACK and sends the data requested. The Master device does not send an ACK but will generate a Stop condition. (Refer to Figure 9. Random Address Read Diagram.)

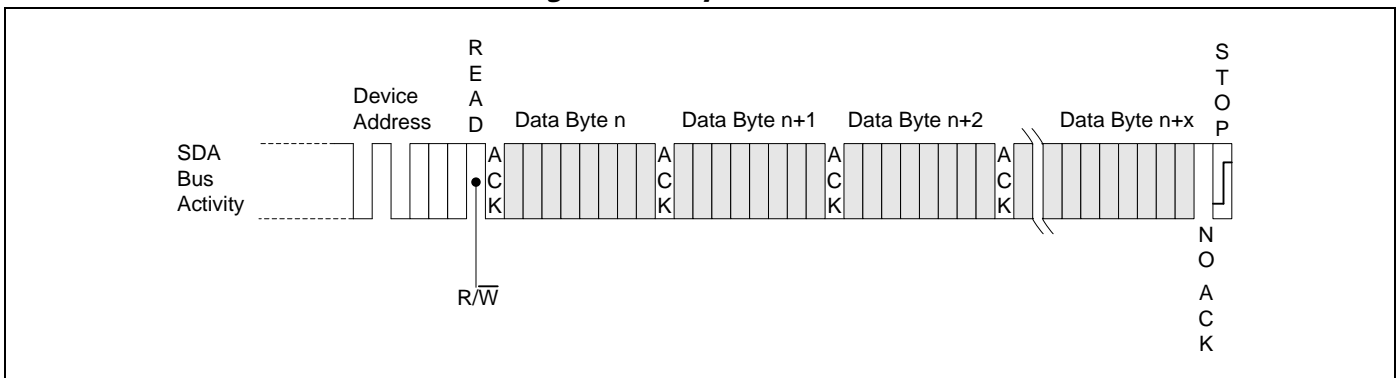
**Figure 11 Random Address Read**



### 5.10.3 Sequential Read

Sequential Reads can be initiated as either a Current Address Read or Random Address Read. After the GT24C32E sends the initial byte sequence, the Master device now responds with an ACK indicating it requires additional data from the GT24C32E. The EEPROM continues to output data for each ACK received. The Master device terminates the sequential Read operation by pulling SDA High (no ACK) indicating the last data word to be read, followed by a Stop condition. The data output is sequential, with the data from address  $n$  followed by the data from address  $n+1, n+2 \dots$  etc. The address counter increments by one automatically, allow the entire memory contents to be serially read during sequential Read operation. When the memory address boundary of the array is reached, the address counter “rolls over” to address 0, and the device continues to output data. (Refer to Figure 10. Sequential Read Diagram).

**Figure 12. Sequential Read**



### 5.11 Identification Page

The GT24C32E optionally offers an additional Identification Page (32 bytes) in addition to the 32 Kbit memory, The Identification page contains two fields:

- Device identification: the three first byte are programmed by Giantec with the Device identification code, as shown in below Table.
- Application parameters: the bytes after the Device identification code are available for application specific data.

If the end application does not need to read the Device identification code, this field can be overwritten and used to store application-specific data. Once the application-specific data are written in the Identification page, the whole Identification page



# GT24C32E

should be permanently locked in Read-only mode.

Address in Identification Page	Content	Value
00h	Giantec Manufacturer coder	C4h
01h	I2C Family code	E0h
02h	Memory Density code	0Ch

## 5.11.1 Write Identification Page

The Identification Page (32 bytes) is an additional page which can be written. It is written by issuing the Write Identification Page instruction. This instruction uses the same protocol and format as Page Write (into memory array), except for the following differences:

- Device type identifier = 1011b
- MSB address bits A15/A5 are don't care, except for address bit A10 which must be "0". LSB address bits A4/A0 define the byte address inside the Identification page.

If the Identification page is locked, the data bytes transferred during the Write Identification Page instruction are not acknowledged (NoAck). If Master send unlock Device Register command, the device type identifier (1011b) will be disable, ID Page Extend command(Figure7) can write Identification page

## 5.11.2 Lock Identification Page

The Lock Identification Page instruction (Lock ID) permanently locks the Identification page in Read-only mode. The Lock ID instruction is similar to Byte Write (into memory array) with the following specific conditions:

- Device type identifier = 1011b
- Address bit A10 must be '1'; all other address bits are don't care
- The data byte must be equal to the binary value xxxx xx1x, where x is don't care

If Master send unlock Device Register command, the Lock Identification Page instruction will be disable.

## 5.11.3 Read Identification Page

The Identification Page can be read by issuing a Read Identification Page instruction. This instruction uses the same protocol and format as the Random Address Read (from memory array) with device type identifier defined as 1011b. The MSB address bits A15/A5 are don't care, the LSB address bits A4/A0 define the byte address inside the Identification Page. The number of bytes to read in the ID page must not exceed the page boundary (e.g.: when reading the Identification Page from location 10d, the number of bytes should be less than or equal to 22, as the ID page boundary is 32 bytes).

If Master send unlock Device Register command, the device type identifier (1011b) will be disable, ID Page Extend command(Figure7) can read Identification page

## 5.12 Delivery State

GT24C32E is shipped erased status with all bytes value as FFh.



# GT24C32E

## 6. Device Features

### 6.1 Device Register

This device provides a non-volatile 8-bit register which allows the user to configure the Device Address and Software Write Protection feature after unlock Device register, then A2,A1,A0 and WP# will be disable, This default value of the register is 1010 0000b,and device register default is Lock(Please check **Lock and Unlock the Device Register** Feature for detail information). Detail description of the Register is shown as below Figure13.

**Figure 13. Device Register**

Register	bit7	bit6	bit5	bit4	bit3	bit2	bit1	bit0
Write	C6	C5	C4	C3	C2	C1	C0	SWP
Read								

Note: 'x' indicates don't care

#### Bit 7:1 Device address configure bits

The 7 bits are corresponding to C6~C0 bits of the Slave device address. The default value is 1010 000b. Totally 128 (2<sup>7</sup>) Device address choices can be configured by user. But user must take care the configured Device address must not be conflict with other Device address device on the same master bus.

#### Bit 0 Software write protection bit

b0 = 0, the whole memory array can be written and read, which is factory outgoing default value.  
b1 = 1, the whole memory array is write protected and in read-only mode.

#### Writing the Device Register:

The first step need to unlock device register, then Writing in the Device Register is performed with a Byte Write instruction at address E0h (Refer Figure 7 Word Address). Writing more than one byte will discard the write cycle (the Device Register content will not be changed).

If the most significant bits bit7:1 have been re-configured with a correct write command, the device only acknowledge if the salve address is equal to the new values of C6:C0, otherwise No Ack.

#### Reading the Device Register:

Reading the Device Register is performed with a Random Read instruction at address E0b (Refer Figure 7 Word Address). Reading more than one byte will loop on reading the Device Register.

### 6.2 Configurable Device Address

Device Register bits C6:C0 are defining the Device address code in the Device address. These bits can be written and re-configured with a Write command. Factory delivery value is 1010 000b.

At power up or after reprogramming, the device will load the last configuration value of C6:C0.



# GT24C32E

## 6.3 Software Write Protect

In order to prevent unexpected write sequence, this device offers the SWP feature, which makes it possible to protect the whole memory content. Write operations are disabled (read-only memory) when the SWP is set to 1 (SWP=1b). In the same way, the write operations are enabled when the SWP is set to 0 (SWP=0b). Factory default values is 0b.

At power up or after reprogramming, the device will load the last configuration of the SWP value.

## 6.4 Lock and Unlock the Device Register

The Device Register is default locked before factory, The Lock Device Register instruction locks the Device Register in Read-only mode, the lock Device register instruction have two method. This instruction is similar to Byte Write (into memory array) with the following specific conditions Device type identifier should be aligned to the current setting of Deice Register whose initial setting is 1010 000b.

### Lock Device Register:

- Address bit A15:A0 :Axxxh  
Device register can be lock, A2,A1,A0 and WP# is disable, the soft Device address and SWP is active and reading only
- The data byte must be 0xFF

### Lock Device Register to Default:

- Address bit A15:A0 :Bxxxh;  
Device register can be reset to 1010 0000b, and A2,A1,A0 and WP# is active , the soft Device address and SWP is disable
- The data byte must be 0xFF

The locked/unlocked status of the Device Register can be checked by the Lock Device Register instruction.

The device returns an acknowledge bit if the Device Register is unlocked, otherwise a NoAck bit if the Device Register is locked.

The Unlock Device Register instruction unlocks the Device Register in write mode, then A2,A1,A0 and WP# is disable. This instruction is similar to Byte Write (into memory array) with the following specific conditions:

### Unlock Device Register:

- Device type identifier should be aligned to the current setting of Device Register whose initial setting is 1010 000b.
- Address bit A15:A0: Cxxxh
- The data byte must be 0x00

Right after this, it is recommended to transmit to the device a Start condition followed by a Stop condition, so that:

- Start: the truncated command is not executed because the Start condition resets the device internal logic,
- Stop: the device is then set back into Standby mode by the Stop condition.





# GT24C32E

---

## 7. Application Recommendation

### 7.1 Operating Supply Voltage

Prior to selecting the memory and issuing instructions to it, a valid and stable VCC voltage within the specified [VCC(min), VCC(max)] range must be applied. This voltage must remain stable and valid until the end of the transmission of the instruction and, for a Write instruction, until the completion of the internal Write cycle (tW).

In order to filter out small ripples on VCC, it is recommended to connect a decoupling capacitor (typically 0.1µf) between VCC and GND. In addition, it is recommended to tie the pull-up resistor to the same VCC power source as EEPROM, if MCU is powered by a different VCC power source.

### 7.2 Power-up conditions

During power ramp up, once VCC level reaches the power on reset threshold, the EEPROM internal logic is reset to a known state. While VCC reaches the stable level above the minimum operation voltage, the EEPROM can be operated properly.

Therefore, in a good power on reset, VCC should always begin at 0V and rise straight to its normal operating level, instead of being at an uncertain level. Only after a good power on reset, can EEPROM work normally.

At power-up, the device does not respond to any instruction until VCC reaches the internal threshold voltage (this threshold is defined in the DC characteristic Table as V<sub>RES</sub>).

When VCC passes over the POR threshold, the device is reset and in the following state:

- in the Standby power mode
- deselected

As soon as the VCC voltage has reached a stable value within the [VCC(min), VCC(max)] range, the device is ready for operation.

### 7.3 Power-down

During power-down (continuous decrease in the VCC supply voltage below the minimum VCC operating voltage), the device must be in Standby power mode (that is after a STOP condition or after the completion of the Write cycle tW if an internal Write cycle is in progress).

### 7.4 ECC (Error Correction Code) and Write cycling

The Error Correction Code (ECC) is an internal logic function which is transparent for the I<sup>2</sup>C communication protocol.

The ECC logic is implemented on each group of four EEPROM bytes <sup>[1]</sup>. Inside a group, if a single bit out of the four bytes happens to be erroneous during a Read operation, the ECC detects this bit and replaces it with the correct value. The read reliability is therefore much improved.

Even if the ECC function is performed on groups of four bytes, a single byte can be written independently. In this case, the ECC function also writes the three other bytes located in the same group <sup>[1]</sup>. As a consequence, the maximum cycling budget is defined at group level and the cycling can be distributed over the 4 bytes of the group: the sum of the cycles seen by byte0, byte1, byte2 and byte3 of the same group must remain below the maximum value defined in 6.4 Reliability.

Note: 1. A group of four bytes is located at addresses [4\*N, 4\*N+1, 4\*N+2, 4\*N+3], where N is an integer.



# GT24C32E

## 8. Electrical Characteristics

### 8.1 Absolute Maximum Ratings

Symbol	Parameter	Value	Unit
V <sub>S</sub>	Supply Voltage	-0.5 to 6.5	V
V <sub>P</sub>	Voltage on Any Pin	-0.5 to 6.5	V
T <sub>STG</sub>	Storage Temperature	-65 to +150	°C
I <sub>OUT</sub>	Output Current	5	mA
V <sub>ESD</sub>	Electrostatic pulse (Human Body model)	±8000	V

Note: Stress greater than those listed under Absolute Maximum Ratings may cause permanent damage to the device. This is a stress rating only and functional operation of the device at these or any other condition outside those indicated in the operational sections of this specification is not implied. Exposure to absolute maximum rating conditions for extended periods may affect reliability.

### 8.2 Operating Range

Range	Ambient Temperature (T <sub>A</sub> )	V <sub>CC</sub>
Automotive Grade 1	-40°C to +125°C	1.7V to 5.5V

### 8.3 Capacitance

Symbol	Parameter <sup>[1, 2]</sup>	Conditions	Max.	Unit
C <sub>IN</sub>	Input Capacitance	V <sub>IN</sub> = 0V	6	pF
C <sub>I/O</sub>	Input / Output Capacitance	V <sub>I/O</sub> = 0V	8	pF

Notes: <sup>[1]</sup> Tested initially and after any design or process changes that may affect these parameters and not 100% tested.

<sup>[2]</sup> Test conditions: T<sub>A</sub> = 25°C, f = 1 MHz, V<sub>CC</sub> = 5.0V.

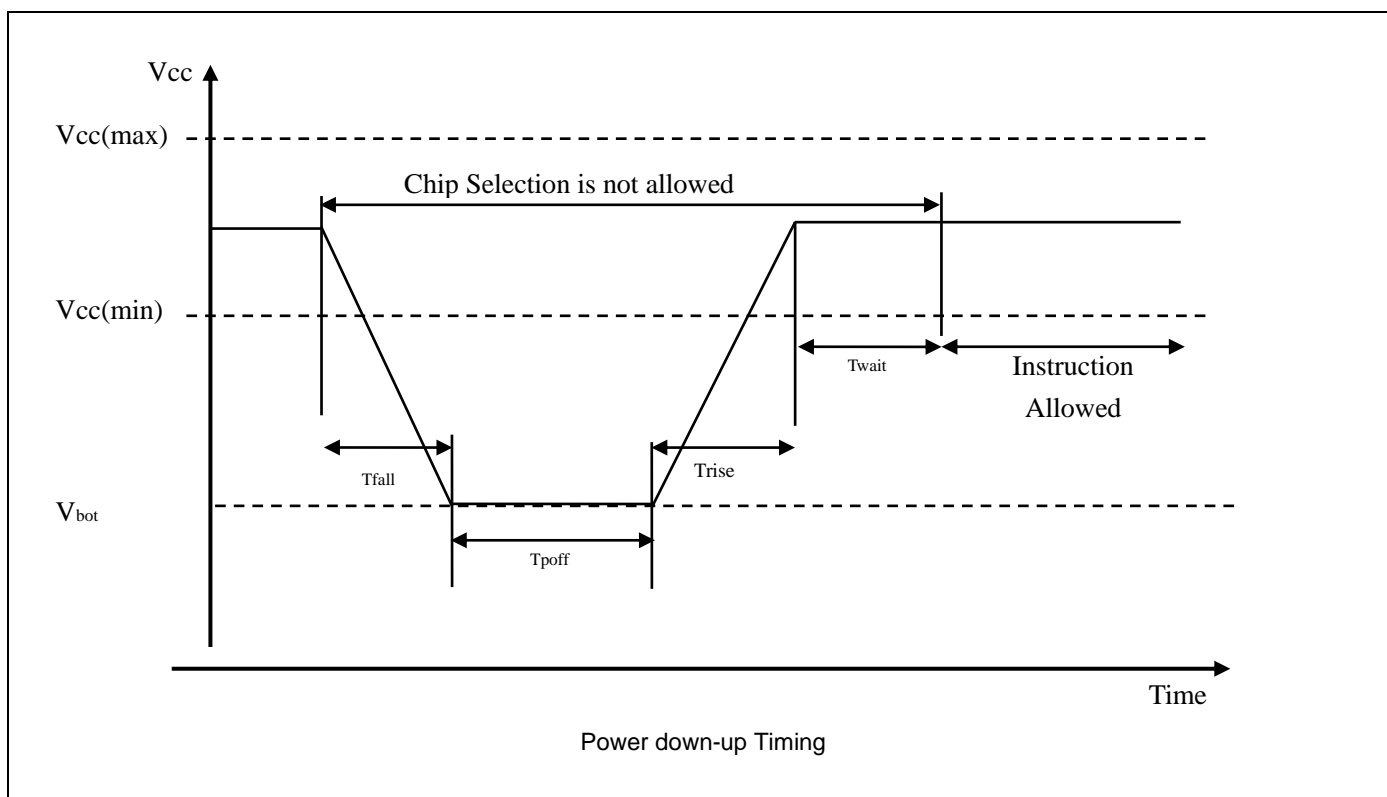
### 8.4 Reliability

Symbol	Parameter	Condition	Min.	Unit
End	Endurance	T <sub>a</sub> =+25°C	4 million	Program / Erase Cycles
		T <sub>a</sub> =+85°C	1.2 million	
		T <sub>a</sub> =+125°C	600 k	
DR	Data Retention	T <sub>a</sub> =+25°C	100	Years
		T <sub>a</sub> =+125°C	50	



# GT24C32E

## 8.5 Power Up/Down and Voltage Drop



Symbol	Parameter	min	max	unit
V <sub>bot</sub>	VCC at power off		0.2	V
T <sub>fall</sub>	VCC min to Vbot	1		ms
T <sub>po</sub>	VCC at power off time	20		ms
T <sub>rise</sub>	Vbot to VCC min		1	ms
T <sub>wait</sub>	VCC Min to Instruction	2		ms

\* All parameters may be changed after the design or process change.



# GT24C32E

## 8.6 DC Electrical Characteristic

Symbol	Parameter [1]	V <sub>CC</sub>	Test Conditions	Min.	Typ.	Max.	Unit
V <sub>CC</sub>	Supply Voltage			1.7		5.5	V
V <sub>IH</sub>	Input High Voltage( WP, A0, A1, A2)			0.7*V <sub>CC</sub>		V <sub>CC</sub> +0.5	V
	Input High Voltage( SCL and SDA )			0.7*V <sub>CC</sub>		V <sub>CC</sub> +0.5	
V <sub>IL</sub>	Input Low Voltage			-0.5		0.3* V <sub>CC</sub>	V
I <sub>LI</sub>	Input Leakage Current	5.5V	V <sub>IN</sub> = V <sub>CC</sub> or GND	—		3	μA
I <sub>LO</sub>	Output Leakage Current	5.5V		—		2	μA
V <sub>OL1</sub>	Output Low Voltage	1.7V	I <sub>OL</sub> = 0.15 mA	—		0.2	V
V <sub>OL2</sub>	Output Low Voltage	2.5V	I <sub>OL</sub> = 2.1 mA	—		0.4	V
I <sub>SB1</sub>	Standby Current	1.7V	V <sub>IN</sub> = V <sub>CC</sub> or GND	—	1	3	μA
I <sub>SB2</sub>	Standby Current	2.5V	V <sub>IN</sub> = V <sub>CC</sub> or GND	—	2	5	μA
I <sub>SB3</sub>	Standby Current	5.5V	V <sub>IN</sub> = V <sub>CC</sub> or GND	—	4	10	μA
I <sub>CC1</sub>	Read Current	1.7V	Read at 400 KHz	—		1	mA
		2.5V	Read at 400 KHz			1	mA
		5.5V	Read at 400 KHz	—		1	mA
		1.7V	Read at 1 MHz			2	mA
		2.5V	Read at 1 MHz			2	mA
		5.5V	Read at 1 MHz	—		2	mA
I <sub>CC2</sub>	Write Current		During t <sub>WR</sub>			2	mA
V <sub>RES</sub>	Internal reset threshold voltage					0.2	V

Note: The parameters are characterized but not 100% tested.



# GT24C32E

## 8.7 AC Electrical Characteristic

Symbol	Parameter <sup>[1]</sup> <sup>[2]</sup>	1.7V ≤ V <sub>CC</sub> ≤ 5.5V		1.7V ≤ V <sub>CC</sub> ≤ 5.5V		Unit
		Slow Mode		Fast Mode		
		Min.	Max.	Min.	Max.	
F <sub>SCL</sub>	SCK Clock Frequency		400		1000	KHz
T <sub>LOW</sub>	Clock Low Period	1200	—	500	—	ns
T <sub>HIGH</sub>	Clock High Period	600	—	260	—	ns
T <sub>R</sub>	Rise Time (SCL and SDA)	—	300	—	120	ns
T <sub>F</sub>	Fall Time (SCL and SDA)	—	300	—	120	ns
T <sub>SU:STA</sub>	Start Condition Setup Time	500	—	200	—	ns
T <sub>SU:STO</sub>	Stop Condition Setup Time	500	—	200	—	ns
T <sub>HD:STA</sub>	Start Condition Hold Time	500	—	200	—	ns
T <sub>SU:DAT</sub>	Data In Setup Time	100	—	40	—	ns
T <sub>HD:DAT</sub>	Data In Hold Time	0	—	0	—	ns
T <sub>AA</sub>	Clock to Output Access time (SCL Low to SDA Data Out Valid)	100	900	50	400	ns
T <sub>DH</sub>	Data Out Hold Time (SCL Low to SDA Data Out Change)	100	—	50	—	ns
T <sub>WR</sub>	Write Cycle Time	—	4	—	4	ms
T <sub>BUF</sub>	Bus Free Time Before New Transmission	1000	—	400	—	ns
T	Noise Suppression Time	—	50	—	50	ns

Notes: <sup>[1]</sup> The parameters are characterized but not 100% tested.

<sup>[2]</sup> AC measurement conditions:

R<sub>L</sub> (connects to V<sub>CC</sub>): 1.3 kΩ (2.5V, 5.0V), 10 kΩ (1.7V)

C<sub>L</sub> = 100 pF

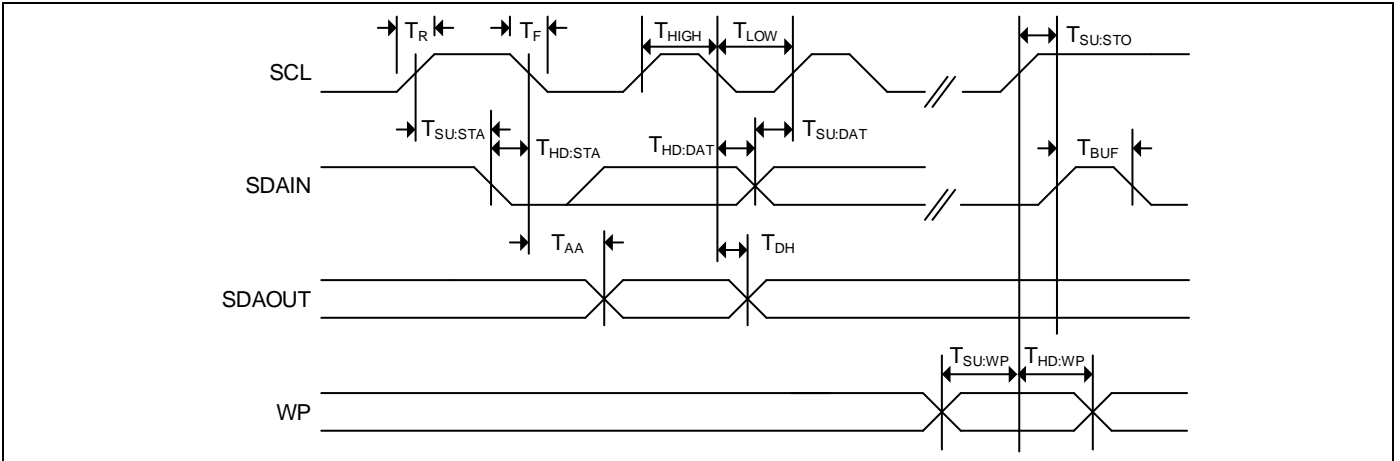
Input pulse voltages: 0.3\*V<sub>CC</sub> to 0.7\*V<sub>CC</sub>

Input rise and fall times: ≤ 50 ns

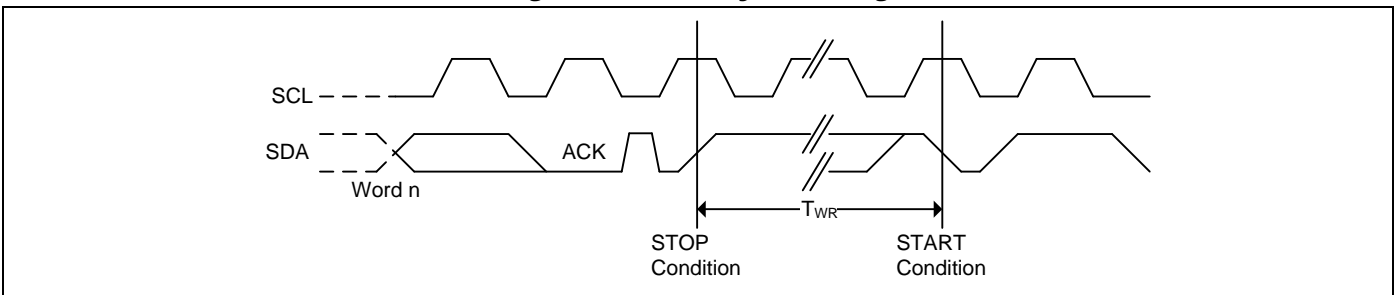
Timing reference voltages: half V<sub>CC</sub> level

## 8.8 Timing Diagrams

**Figure 11. Bus Timing**



**Figure 12. Write Cycle Timing**





# GT24C32E

## 9. Ordering Information

Voltage Range	Part Number*	Package (8-pin)*
1.7V to 5.5V	GT24C32E-2GLA1-TR	150-mil SOIC
	GT24C32E-2ZLA1-TR	3 x 4.4 mm TSSOP
	GT24C32E-2UDLA1-TR	2 x 3 x 0.55 mm UDFN

### Rule:

<b>Device Type</b> GT24C = I2C EEPROM
<b>Device Density</b> 32E = 32K-bit Product version E
<b>Operating Voltage</b> 2 = 1.7/1.8-5.5V 3 = 2.3/2.5-5.5V
<b>Package</b> G = SOP8 150mil Z = TSSOP8 UD = UDFN8 2*3mm
<b>Pb Status</b> L = green status (HF, Meet reach, Rohs, etc.)
<b>Temperature Range</b> A1 = Automotive Grade1 (-40C ~ +125°C) A2 = Automotive Grade2 (-40C ~ +105°C)
<b>Packing</b> TR = Tape & Reel

### Note:

1. Contact Giantec Sales Representatives for availability and other package information.
2. The product is packed in tape and reel "-TR" (4K per reel), except UDFN is 5K per reel.
3. Refer to Giantec website for related declaration document on lead free, RoHS, halogen free or Green, whichever is applicable.



# GT24C32E

## 10. Top Markings

### 10.1 SOIC Package



**G:** Giantec Logo  
432E2GLA1: GT24C32E-2GLA1-TR  
YWW: Date Code, Y=year, WW=week

### 10.2 TSSOP Package



**GT:** Giantec Logo  
432E2ZLA1: GT24C32E-2ZLA1-TR  
YWW: Date Code, Y=year, WW=week

### 10.3 UDFN Package



**GT:** Giantec Logo  
45E1: GT24C32E-2UDLA1-TR  
YWW: Date Code, Y=year, WW=week



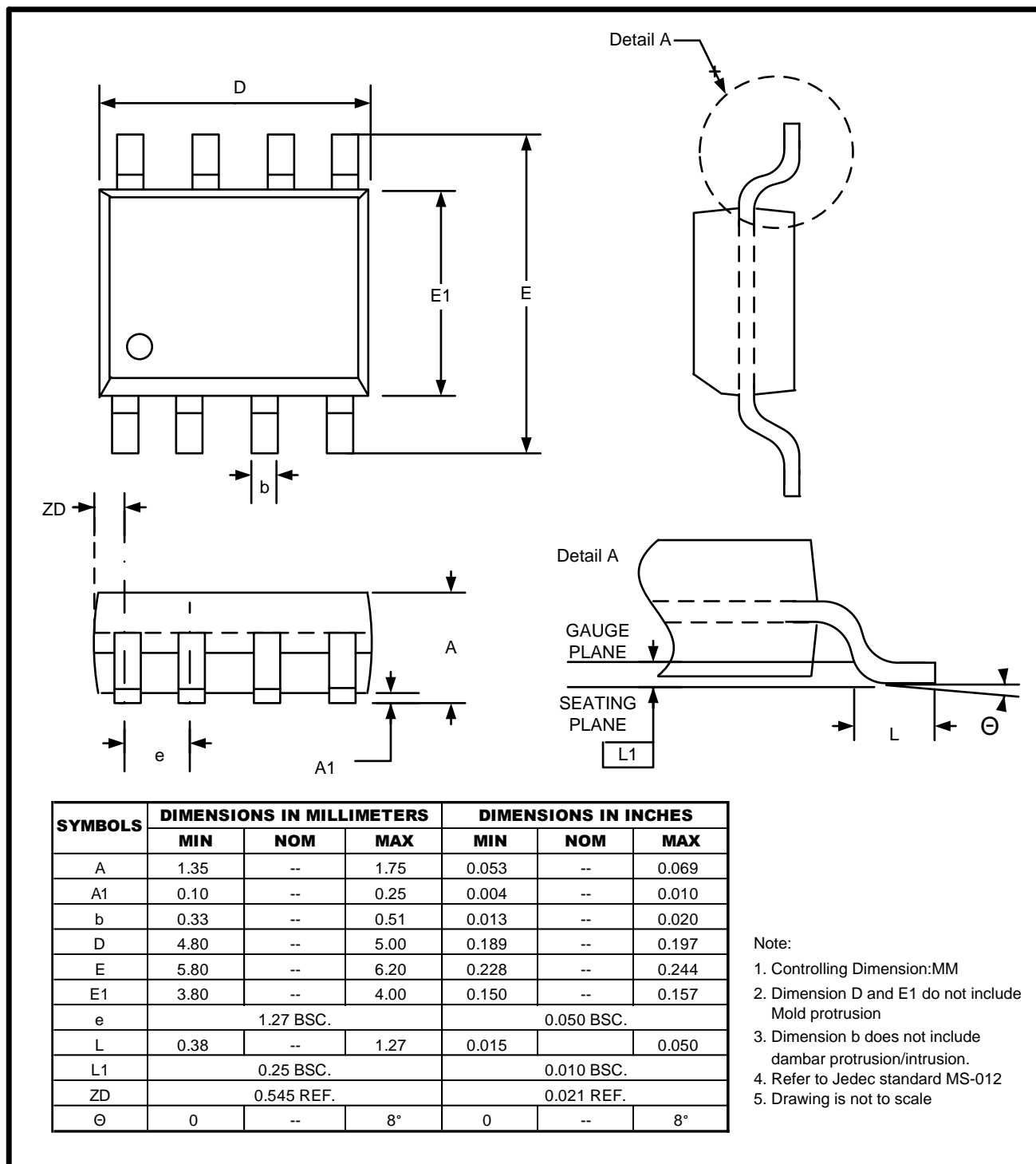


# GT24C32E

## 11. Package Information

### 11.1 SOIC

#### 8L 150mil SOIC Package Outline

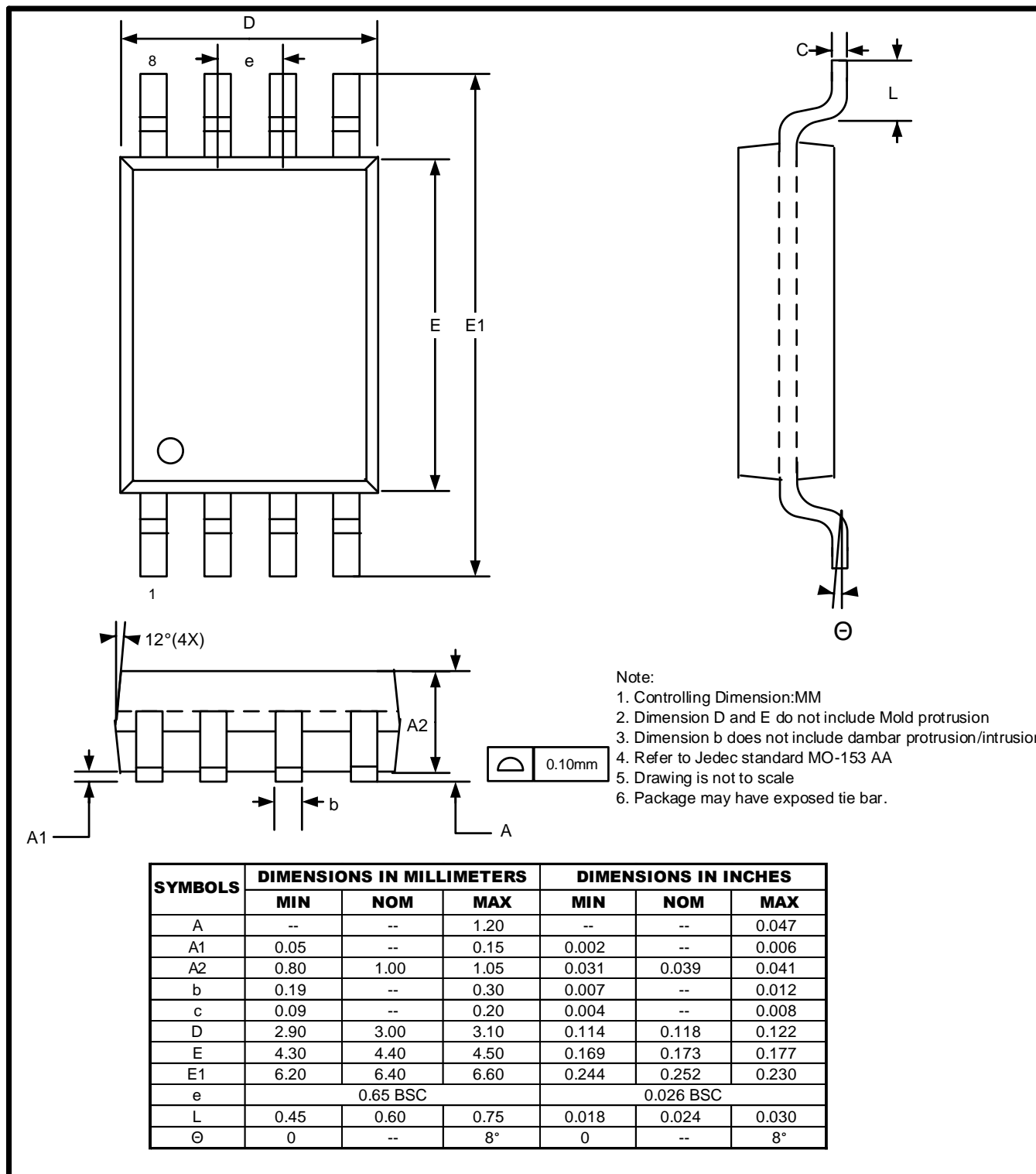




# GT24C32E

## 11.2 TSSOP

### 8L 3x4.4mm TSSOP Package Outline

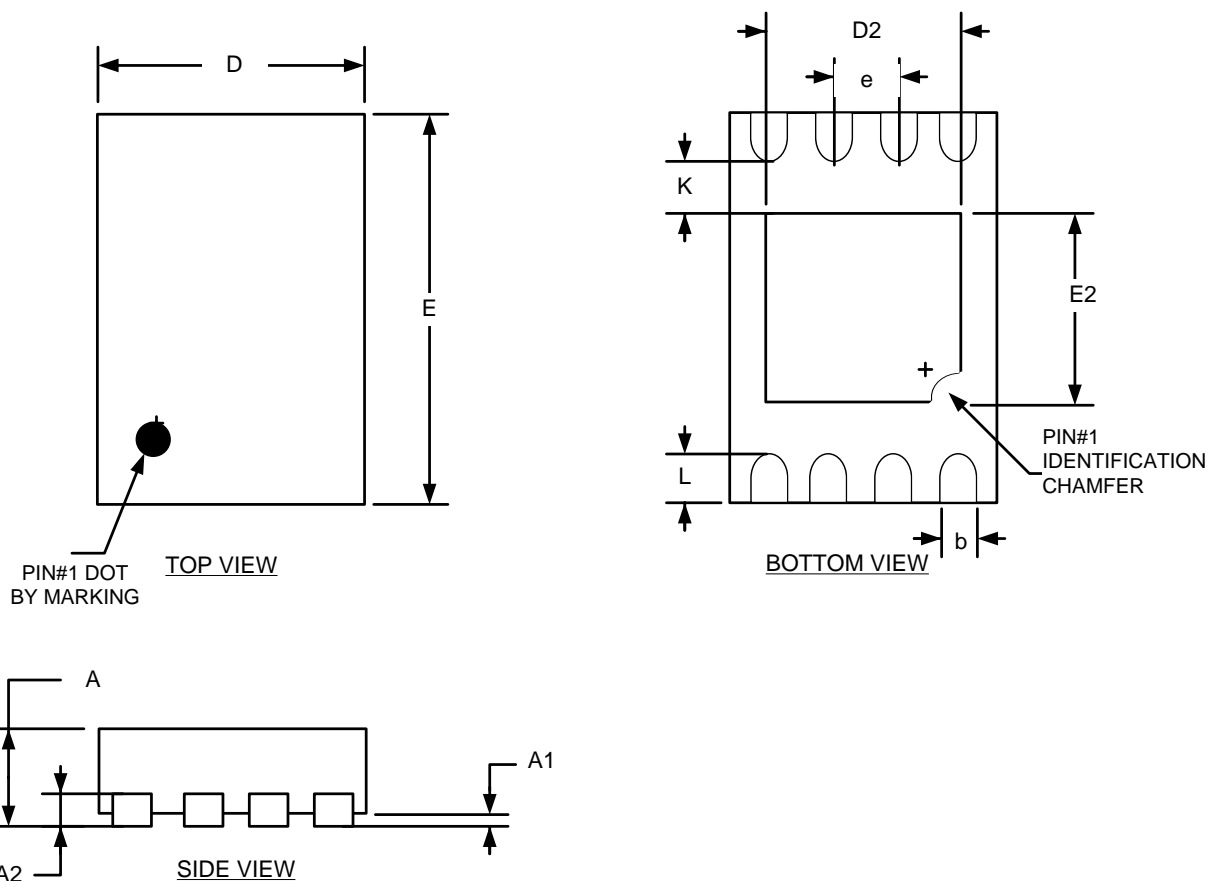




# GT24C32E

## 11.3 UDFN

### 8L 2x3mm UDFN Package Outline



SYMBOLS	DIMENSIONS IN MILLIMETERS			DIMENSIONS IN INCHES		
	MIN	NOM	MAX	MIN	NOM	MAX
A	0.50	0.55	0.60	0.020	0.022	0.024
A1	0.00	--	0.05	0.000	--	0.002
b	0.18	0.25	0.30	0.007	0.010	0.012
A2	0.152 REF			0.006 REF		
D	2.00 BSC			0.079 BSC		
D2	1.25	1.40	1.50	0.049	0.055	0.059
E	3.00 BSC			0.118 BSC		
E2	1.15	1.30	1.40	0.045	0.051	0.055
e	0.50 BSC.			0.020 BSC.		
K	0.40	--	--	0.016	--	--
L	0.20	0.30	0.40	0.008	0.012	0.016

Note:

1. Controlling Dimension:MM
2. Drawing is not to scale



# **GT24C32E**

---

## **12. Revision History**

<b>Revision</b>	<b>Date</b>	<b>Descriptions</b>
A0	Apr. 2021	Initial version
A1	May. 2022	Update Logo and other
A2	Oct. 2024	Update WP notes in section 4.4